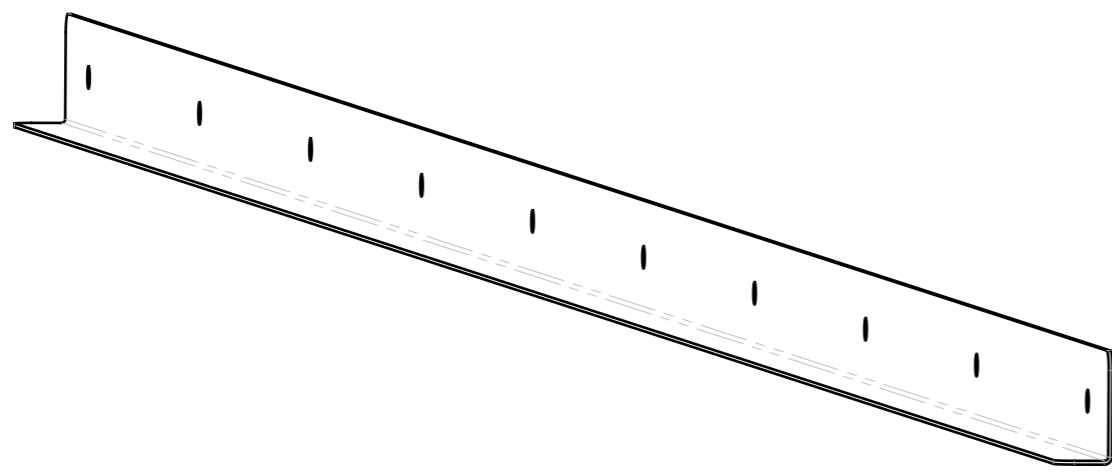
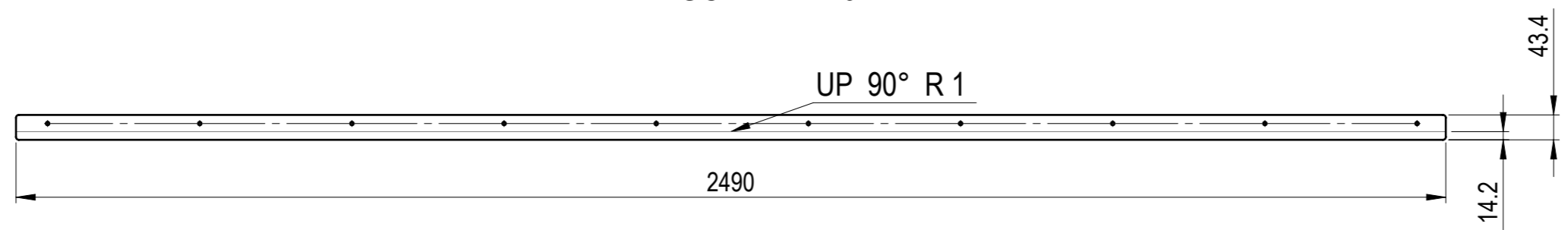
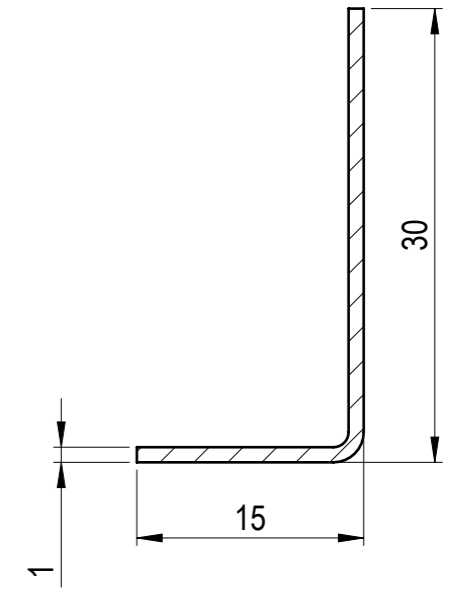


A-A  
SCALE: 2 : 1



Other dimensions from .DXF file.

SHEET METAL INFORMATION	
Length, mm	2490
Width, mm	43.4
Thickness, mm	1
Inside Bend Radius, mm	1
K-Factor	0.5
No. of Bends	1

	MATERIAL	WEIGHT	DEBURR AND BREAK SHARP EDGES		REVISION	DATE
	DX51D+Z275	0.840 Kg	DO NOT SCALE DRAWING			4/9/2025
	SURFACE PROTECTION	MACHINING	THERMAL CUTTING	WELDING	SCALE	FORMAT
	-	ISO 2768 mK	ISO 9013 441	ISO 13920 BF	1:10	A3
	NAME	SIGNATURE	PART NO.			
Designed by	D. Dislers		105-05000-08			
Drawn by	E. Kriviss		DESCRIPTION			
Technical ref.			Plywood guard plate 1			SHEET 1/1